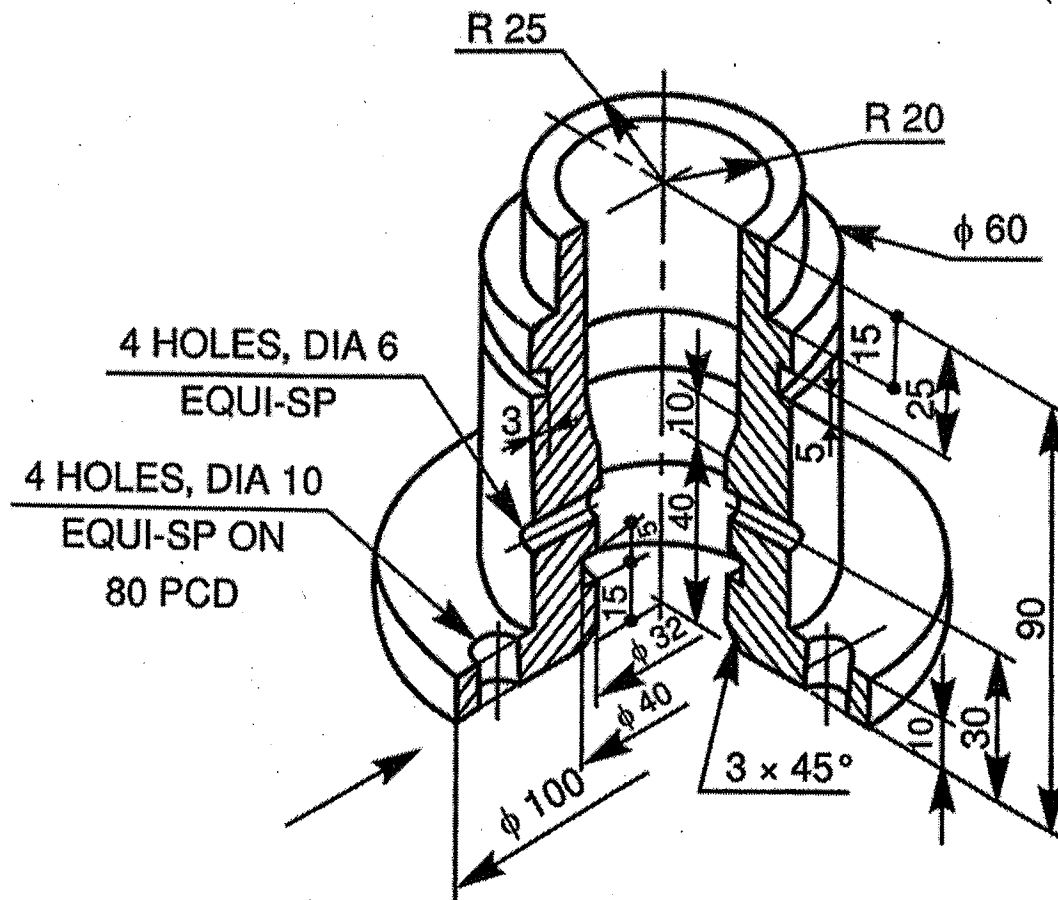




Total 02 Questions
 Answer all questions
 All dimensions are given in mm

1. Draw a sketch of the isometric view of the given object. (You will be provided with an object in the examination)
(20 marks)

2. Draw the front view, looking in the direction of the arrow, the top view and the sectional left hand side view of the coupling shown in FigQ2. Use first angle projection.
(80 marks)



FigQ2