

**Instructions to candidates**

**Duration:** Three (03) hours

**Number of questions:** Four (04)

**Mark allocation:** 100

**All questions are compulsory.**

1. Produce three orthogonal views (Front, Right side and Top) of the figure 1.0, taking view X as the front. All dimensions are given in millimeters. Use first angle projection. (Scale 1:1)

(30 mark)

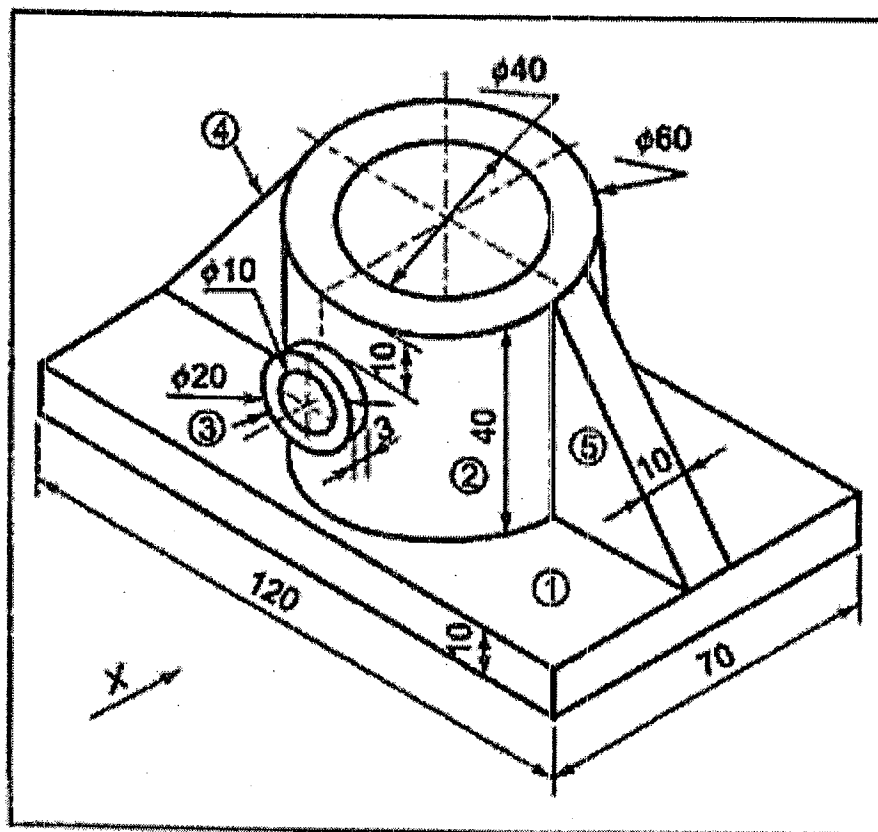


Figure 1.0

2. Draw parabola within a parallelogram ABCD of sides AB=120mm, BC=90mm and angle ABC=60°. (Scale 1:2).

(20 mark)



3. Construct a diagonal scale of RF = 2/125 and LC of 1 centimeter. Show the lengths of 7.54 meters on it. (20 mark)
4. A casting is shown in figure 2.0. Draw the sectional front view, section XX. (Scale 1:1) (30 mark)

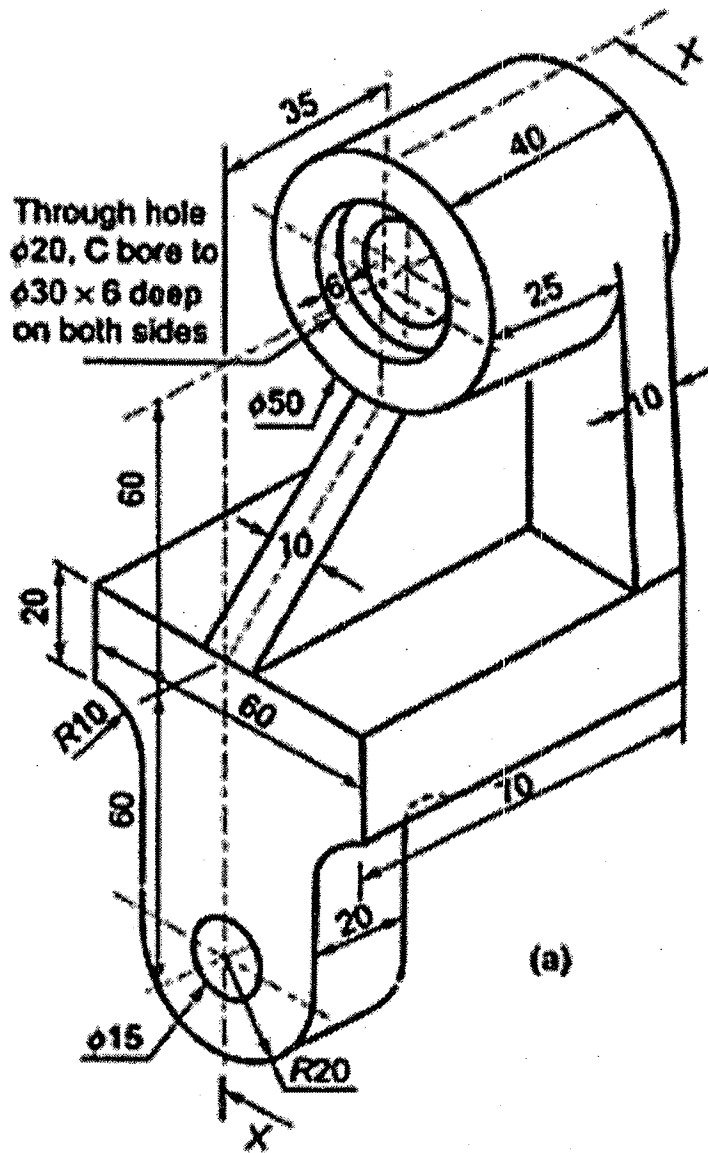


Figure 2.0