

Instructions to candidates

Duration: Three (03) hours

Number of questions: Two (02) questions

Mark allocation: Hundred (100) mark

Answer **all** questions

All dimensions are given in mm

1. Draw a sketch of the isometric view of the given object. (You will be provided with an object in the examination) (20 mark)
2. Draw the front view, looking from the direction of the arrow, the top view and the left hand side view of the Fig.01. Use third angle projection. (80 mark)

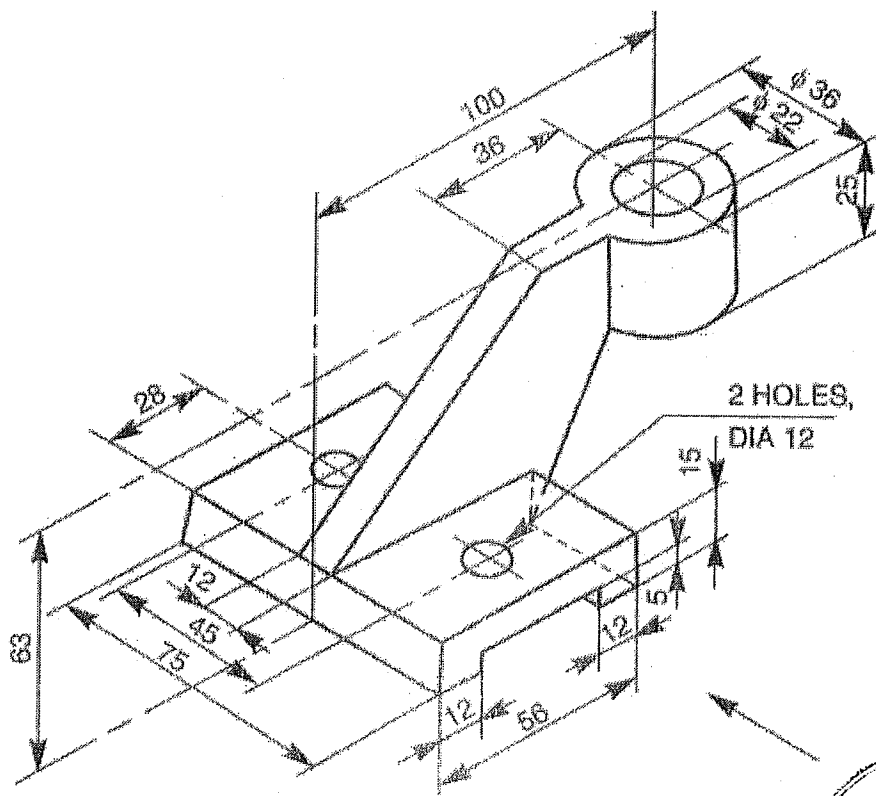


Fig.01

